

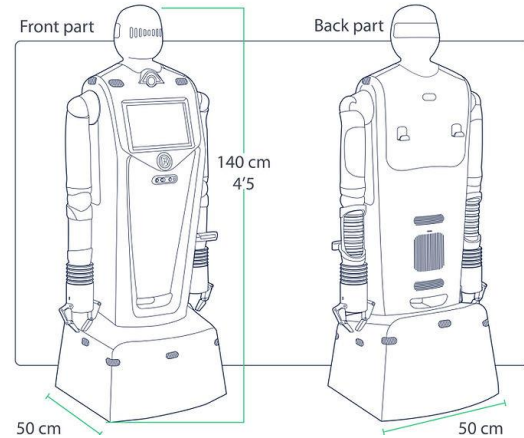
# GARY'S Specifications

## GENERAL

Size: 140cm (~4'5) height  
50cm (~19 inches) width  
50cm (~19 inches) depth

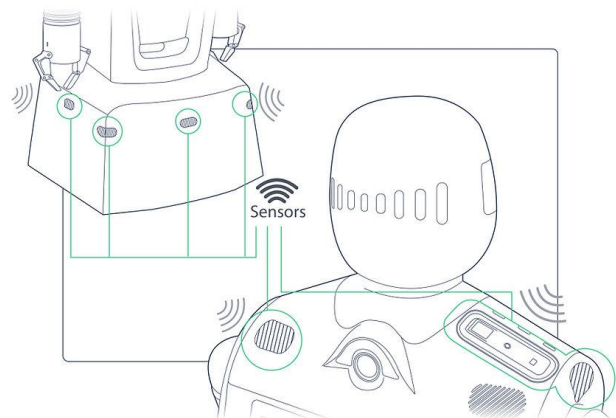
Weight: 40 kg (88 lbs)

Maximum speed:  
Up to 1.5 meter per second / up to 5.4 KpH



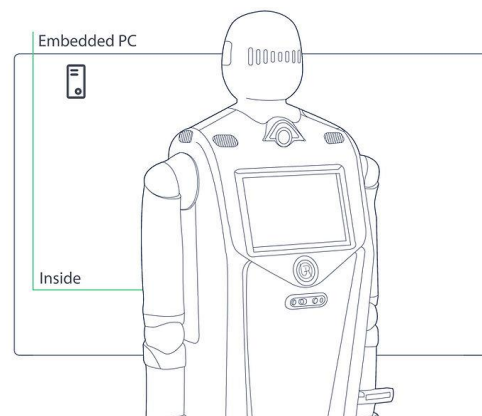
## SENSORS

Distance ultrasonic sensors x 12  
Compass  
Thermometer  
Environmental sensor  
(pressure/degrees/humidity/altitude)  
Pulse & Saturation  
Fingerprint scanner  
360 degrees lidar  
Real-Sense camera x 2



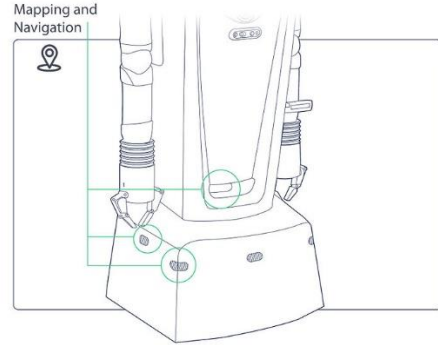
## EMBEDDED PC

Intel Core i7k Processor  
M.2 512 GB  
Linux OS  
TPU



## MAPPING & NAVIGATION

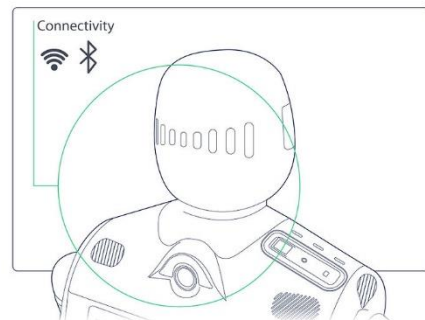
- 2D Mapping
- 3D Localization
- Obstacle avoidance & path planning system
- 4 omni-mechanic directional wheels
- 4 independent Brushless DC motors



---

## CONNECTIVITY

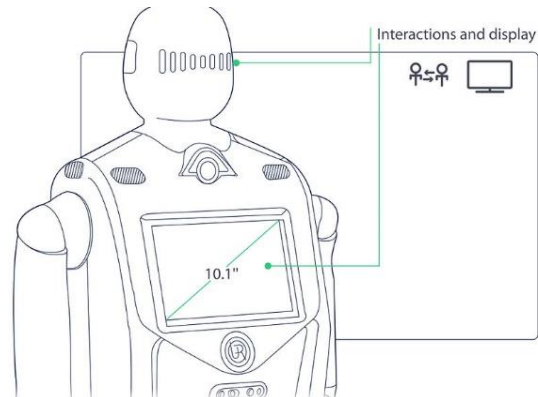
- Wi-Fi (IEEE 802.11a/b/g/n)
- Bluetooth v5.1



---

## INTERACTIONS & DISPLAY

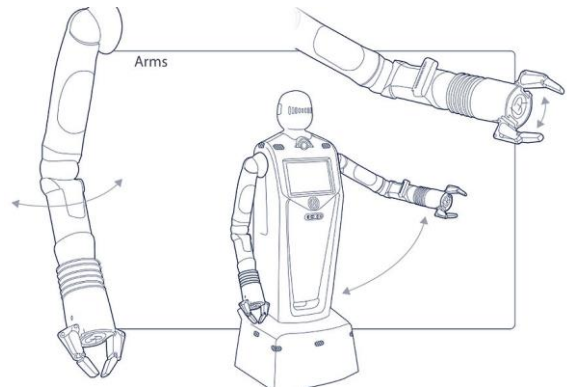
- 10.1" FHD multi-point touch screen
- High-Sensitive Microphone
- 15W Stereo Speakers
- Robust leds system w/ a tailor made interactions language
- Head
- Chest
- Bottom



---

## ARMS

2 arms w/ 7 degrees of freedom of the joints  
Arms reach: 0cm - 165cm  
3 fingers & 2 fingers grippers  
Load up to 1.5 kg arm stretched out



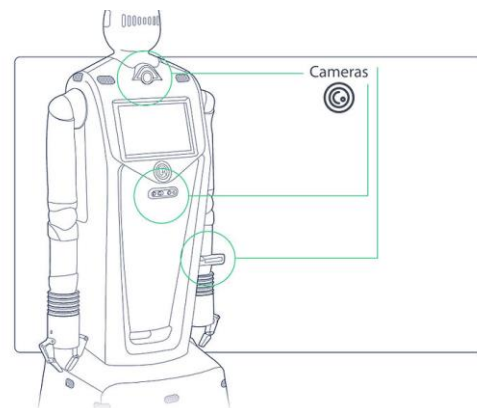
---

## CAMERAS

**ARM CAMERA**  
Real Sense Depth Camera  
Fov:  $87^\circ \times 58^\circ$   
90 fps  
Indoor/Outdoor.

**CHEST CAMERA**  
Real Sense Depth Camera  
Fov:  $87^\circ \times 58^\circ$   
90 fps  
Indoor/Outdoor.

**IR CAMERA**  
Night vision.  
FOV:  $90^\circ$   
Distance: up to 10m  
30fps at 1080P



---

## POWER & CHARGER

2 batteries: 24V, 65Ah each of them.  
Autonomous charging- 220V/110V.  
Autonomous docking station.  
Lithium-ion cells.

